

22/23
PRODUCTS

Product Catalogue

Black Steel Duct Work

Type (BSDW)



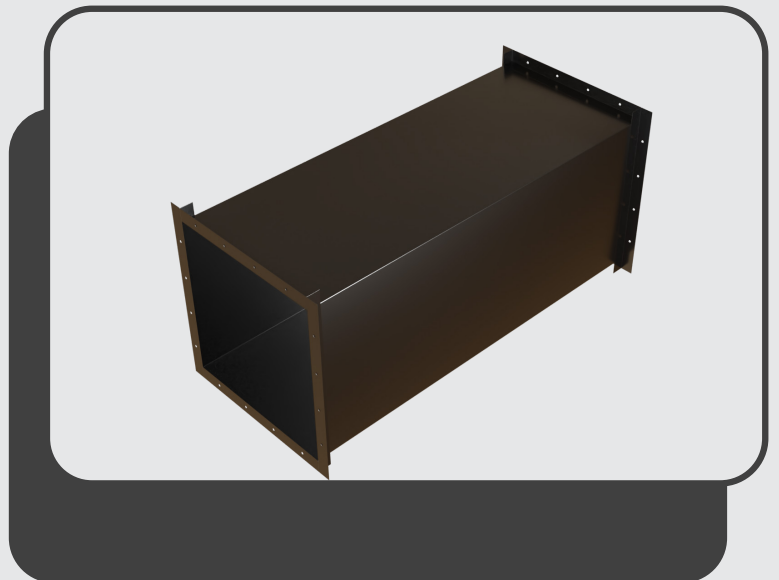
Khedr Trust
ALL AIR PRODUCTS

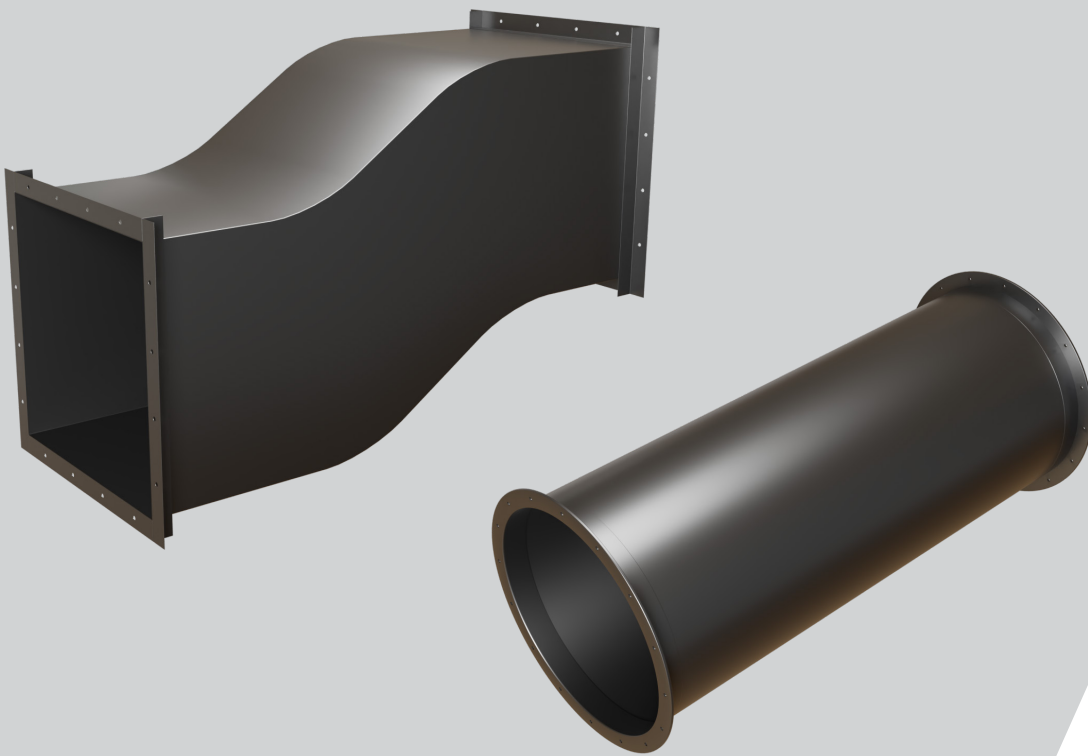
Black Steel Duct Work
products are manufactured by



“Your comfort is
our priority”

www.khedr-eg.com





Models



- Rectangular Black Steel Duct Work
- Round Black Steel Duct Work

Features



- All ducts, transformation pieces and their respective fittings are produced using CNC machines.
- Black steel ducts are fabricated from hot rolled black steel sheets with fully welded construction to achieve leak proofing. Black steel ducts are mainly used for the kitchen and smoke exhaust because of its inherently fire resistant characteristics.
- All duct connections, nuts, bolts, gaskets and reinforcements are included with the ductwork.
- Ducts and fittings are available in the sizes and dimensions required by the customers.

Black Steel Duct Work

Model Design

Khedr Black steel Duct Work used in high temperature applications like kitchen ventilation, (available in rectangular , circular shapes).

Steel Thickness

Khedr Duct Work are made of Black steel from 2mm to 3.5 mm thickness.

Accessories

Ducts and fittings are available in different lengths, as per customer's request

Product Standards

All ducts and fittings are produced as per SMACNA duct construction standards

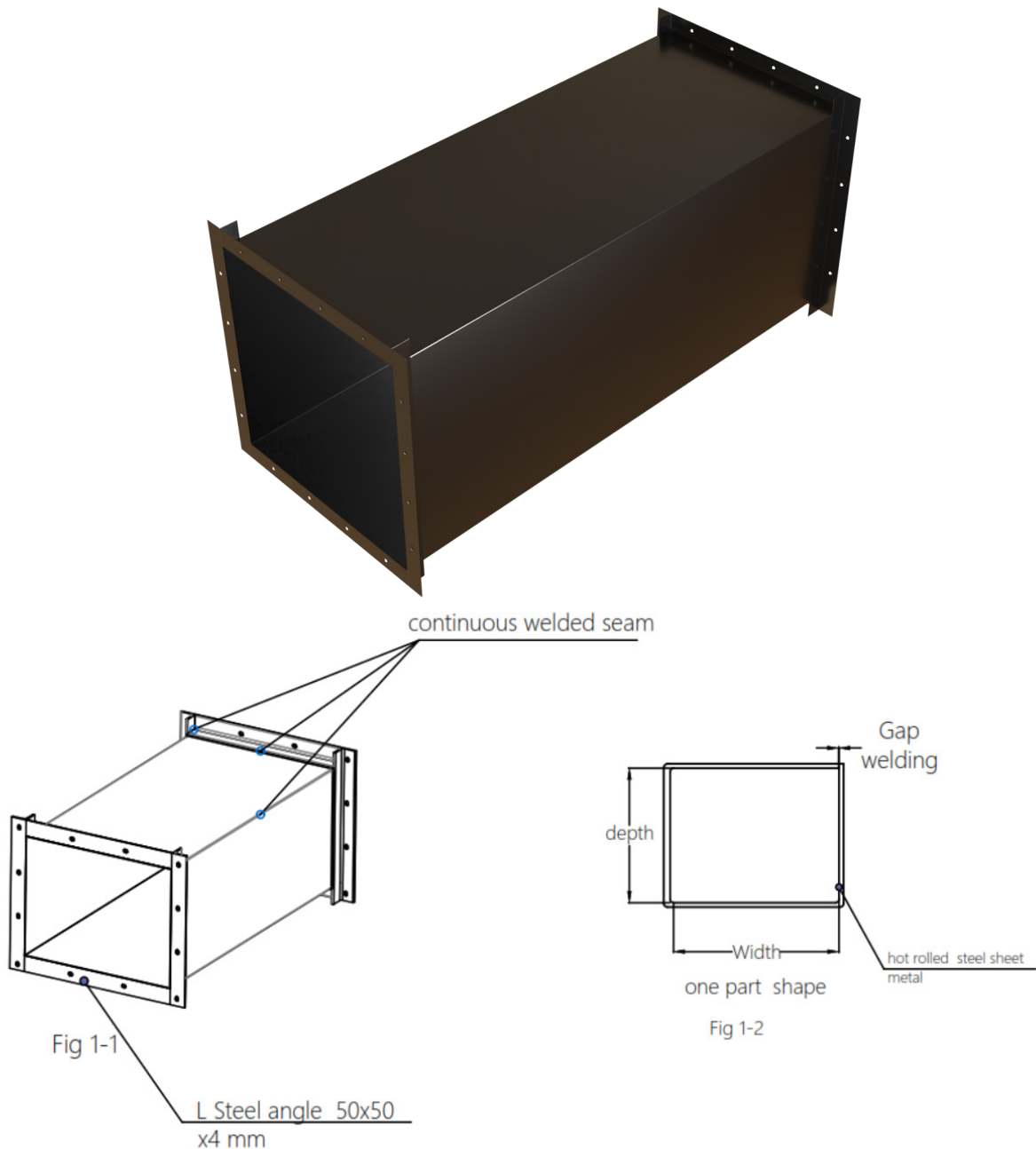
- Straight Duct

DESCRIPTION

Rectangular, air distribution channel, designed for indoor and outdoor applications.

FABRICATION STANDARDS

- Hot rolled steel sheet bending by bending the shape as one part (Fig 1-2).
- Flange arranged with angle 90° as shown in (Fig 1-3).
- Flange cutted and punch hole by CNC angle cutting machine.
- Bending sheet plates by CNC bending.
- MIG welding.
- standard length of straight square duct 1250 mm.



- Flange Arrangement

Flange Steel Angle	
Dimensions	Bolts
25x25x2.5	8
30x30x3	8
40x40x4	8
50x50x5	10
60x60x5	12

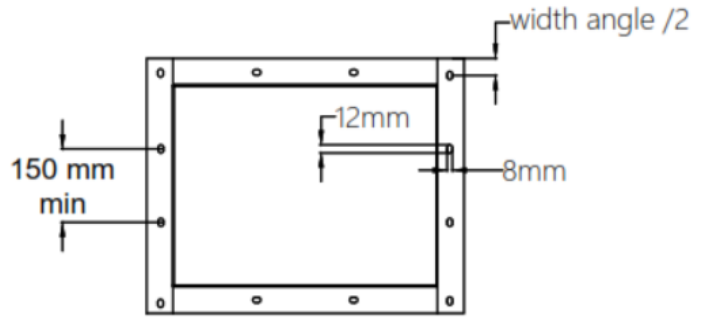
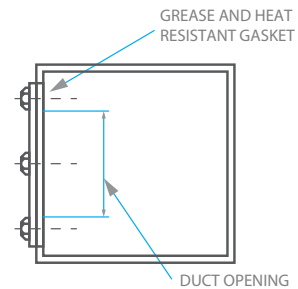
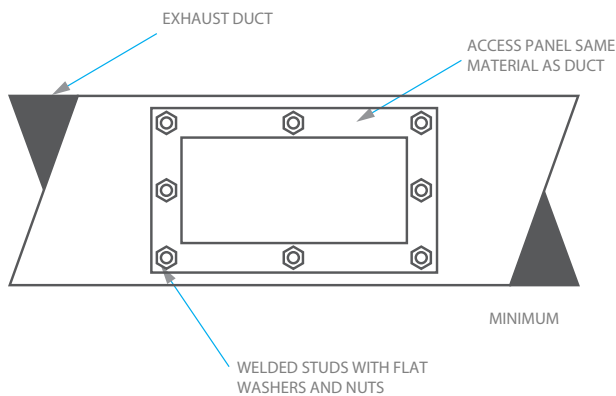
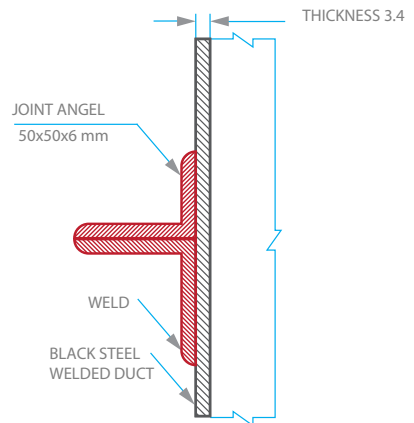
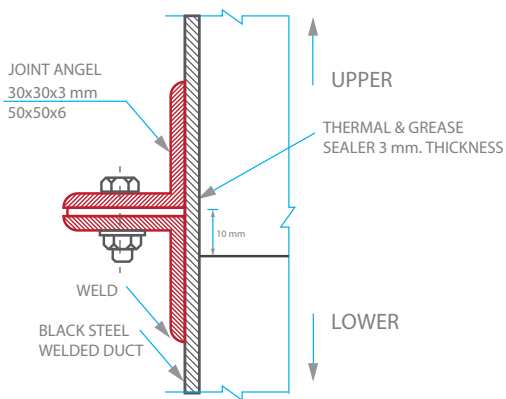


Fig 1-3

- Duct Connection



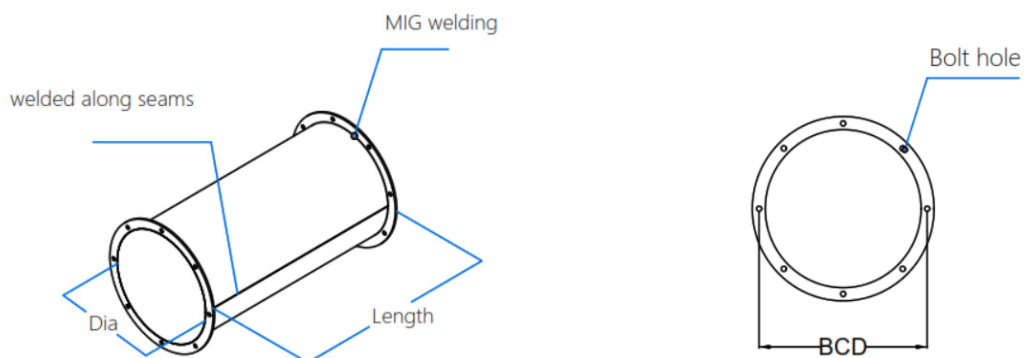
- Circular Duct

MATERIAL SPECIFICATIONS

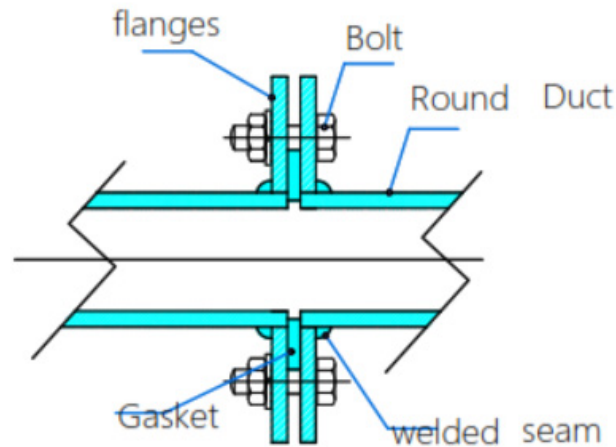
- All ductwork is made of Black steel material.
- Various Thickness are available upon request.
- Circular ducts & fittings are available.

FABRICATION STANDARDS

- All seams welded by CO₂ MIG welding.
- Standard length of straight round duct 1240 mm.
- All flanges and holes are machined by cnc LASER cutting machine.
- All diameters of straight round duct are rolled according to the required diameter on rolling machine.



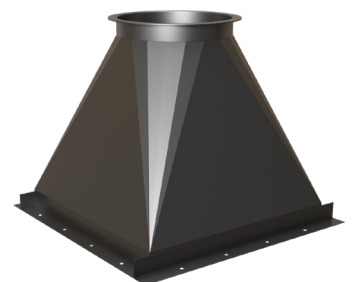
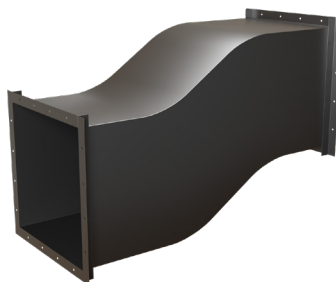
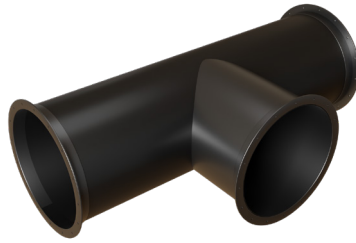
- Round Duct Connection



WELDING STANDARDS

- The parts that are welded have a special section separate from the rest of the sections in order to sequence the weld and ensure its quality
- Available in all types of welds
 - Spot welding
 - MIG welding
 - TIG welding
 - Arc welding
- MIG welding using Co₂ gas is used for welding steel
- stainless steel sectors used TIG welding is used with Argon gas and stainless rods.
- Welding workers have high efficiency, work with high precision and have certified certificates

- Duct Fittings*



* All fittings shapes are formed by Plasma CNC machines and all seams welded by MIG welding CO₂

- Used Equipment

1. Bending and forming process

- ERMAKSAN CNC Bending Machine, One of the most important equipment available for bending and shaping.
- Force = 100 tons
- 4 axis.
- 2D model operation software.



2. Plasma cutting machine

- Brand : primapress
- Work table size : 3000 x1500
- Plazma power : hypertherm 105 A
- Cutting range : 0.5 -6 mm thickness



3. Shearing process

- Brand : premapress
- Cutting and punching holes of steel angle angle
- Size dimension : from 25*25 *2.5 to 60*60* 6



4. Hydraulic steel sheets shearing

- Band omega
- Length = 3000 mm
- Backgauge station =600 mm



5 . weld process

- Brand : Fronius
- Specs: 250AMP COMPACT MIG/ TIG WELDING MACHINE
- Welding current max. 250A
- Welding current min. 10A



Other Products are provided by Khedr Trust Co.

Diffusers & Grills

Slot Linear Diffuser
Eye Ball Diffuser
Circular Ceiling Diffuser
Swirl Diffuser
Perforated Ceiling Diffuser
Jet Diffuser
Square Ceiling Diffuser
Disc Valve Diffuser
Linear Bar Grill
Supply / Return Grill
Door Grill

Louvers

Aluminum Louver
Sand Trap Louver

Dampers

Volume Damper
Fire Damper
Smoke Motorized Damper
Shutter Damper
Pressure Relief Damper

Special Parts

Sound Attenuator
Plenum Box

Duct Works

Galvanized Steel Duct
Black Steel Duct
Stainless Steel Duct
Spiral Duct
Flexible Duct
Canvas
Flanges
Flexible Duct Connector



Khedr Trust

ALL AIR PRODUCTS



Alqanater Alkhairia roads.Industrial Area. Behind Cocacola Co.. Cairo, Egypt

Mailing Address : P.O.Box 13621. Cairo 11511 - Egypt

Tel : +202 42452022

Mob : +2010 29999054 / +2010 29999056

+2010 29999057 / +2010 29999058

E-Mail : info@khedr-eg.com

 / khedr.co

www.khedr-eg.com

