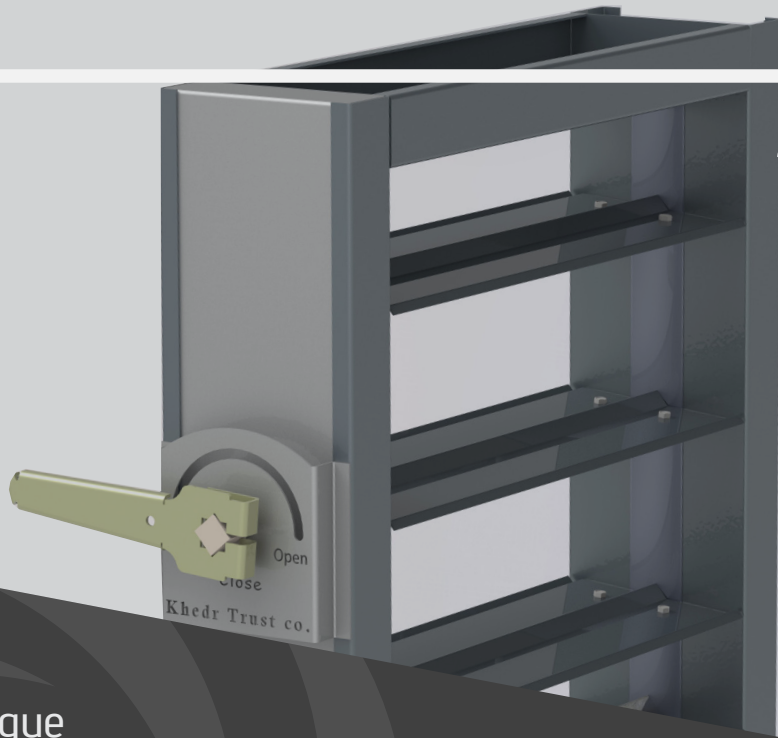


20/21
PRODUCTS



Product Catalogue

Blade Volume Damper

Type (BVD)



Khedr Trust
ALL AIR PRODUCTS

Blade Volume Damper products are
manufactured by



“ Your comfort is
our priority ”

www.khedr-eg.com





Models

- BVD-RP "Rectangular Parallel Blades Volume Damper"
- BVD-RO "Rectangular Opposed Blades Volume Damper"
- BVD-C "Circular Volume Damper"



Features

- Suitable for manual and motorized operation.
- Non-Spring Direct coupled actuators are used for motorized operation.

Blade Volume Damper

Model Design

Khedr Model BVD Volume Damper are designed to regulate and balance the amount of air required.

Blades Design

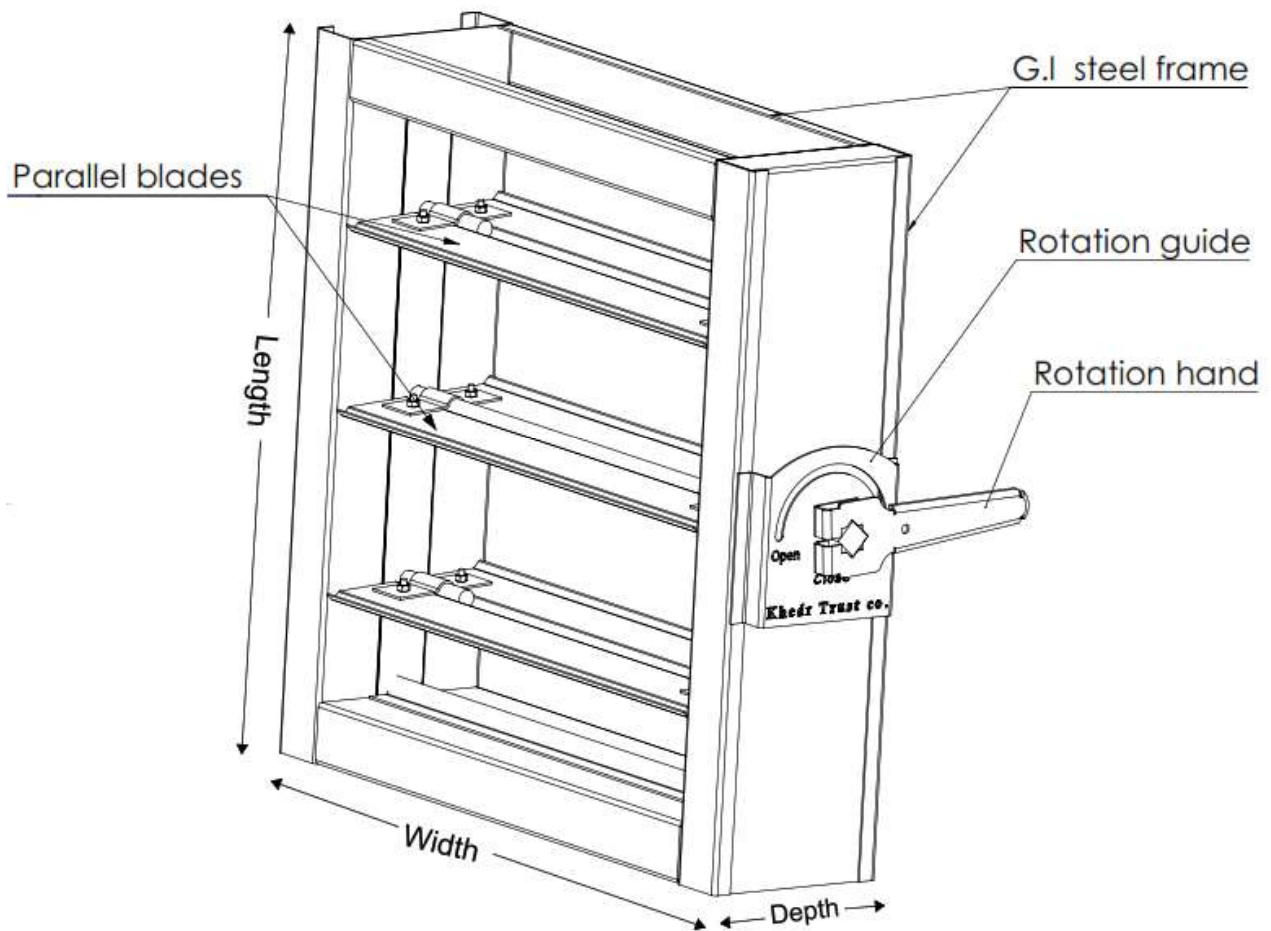
Khedr Model BVD blades allowing a laminar flow across the blades.

Installation

Khedr Model BVD are suitable to use in vertical or Horizontal installation.

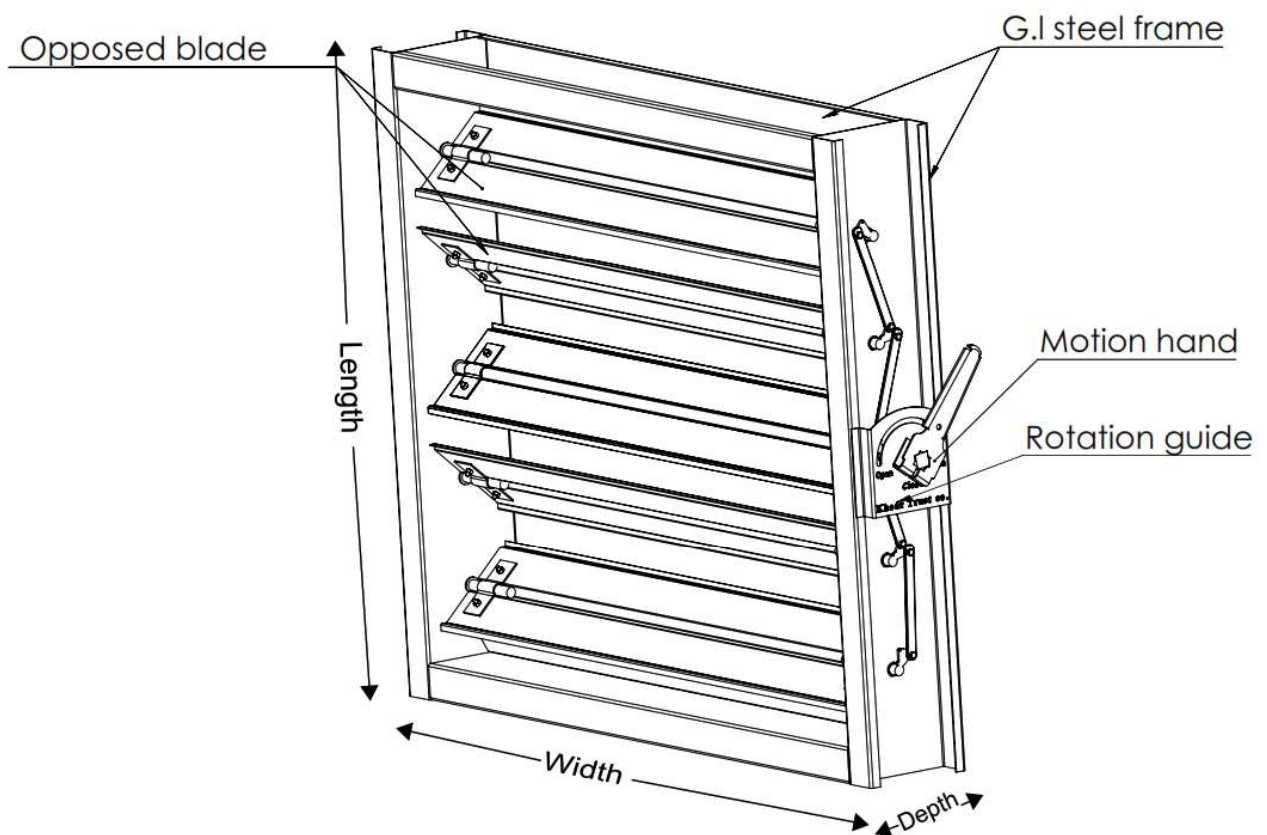
- Construction & Specs.**- Type (BVD-RP) - Rectangular Parallel Blade Type**

- Galvanized / Stainless Steel Frame with welded corners.
- Galvanized / Stainless Steel Blades reinforced with longitudinal vees.



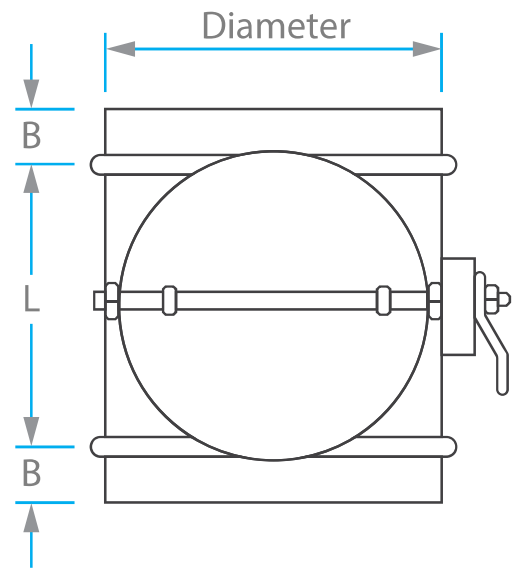
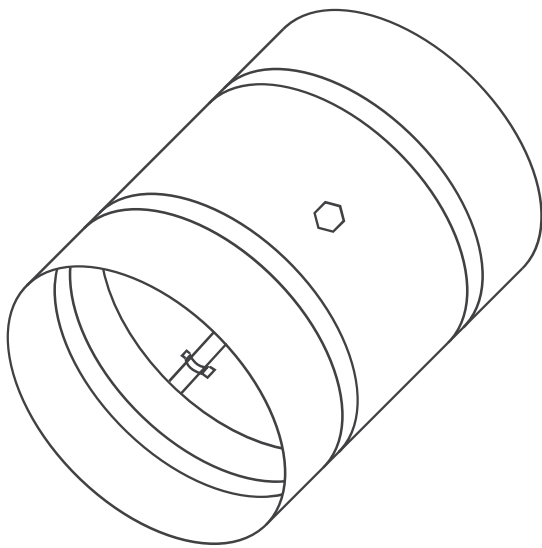
- Type (BVD-RO) - Rectangular Opposed Blade Type

- Galvanized / Stainless Steel Frame with welded corners.
- Galvanized / Stainless Steel Blades reinforced with longitudinal vees.



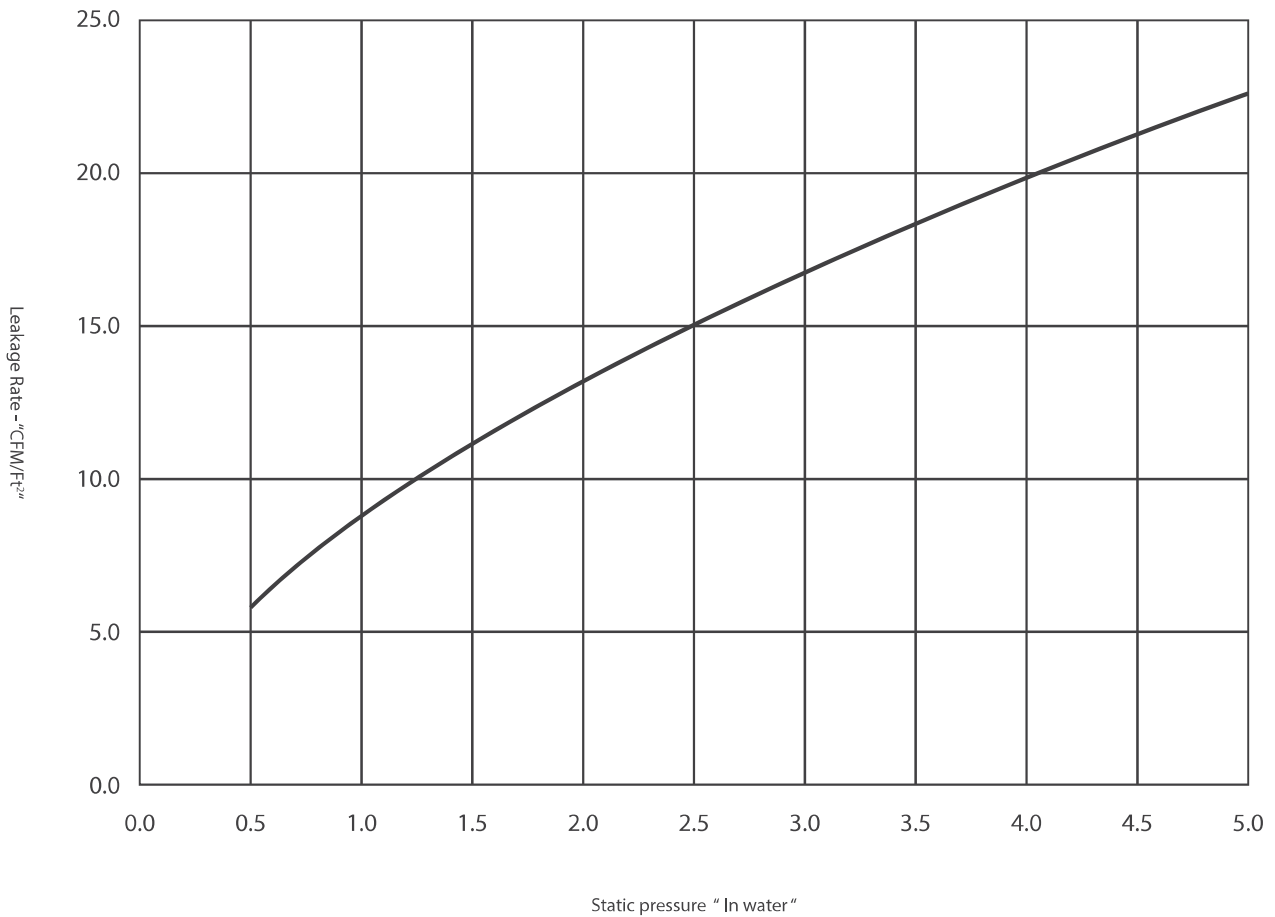
- Type (BVD-C) - Circular Type

- Galvanized Steel/ Stainless Frame.
- Galvanized Steel / Stainless Blade.

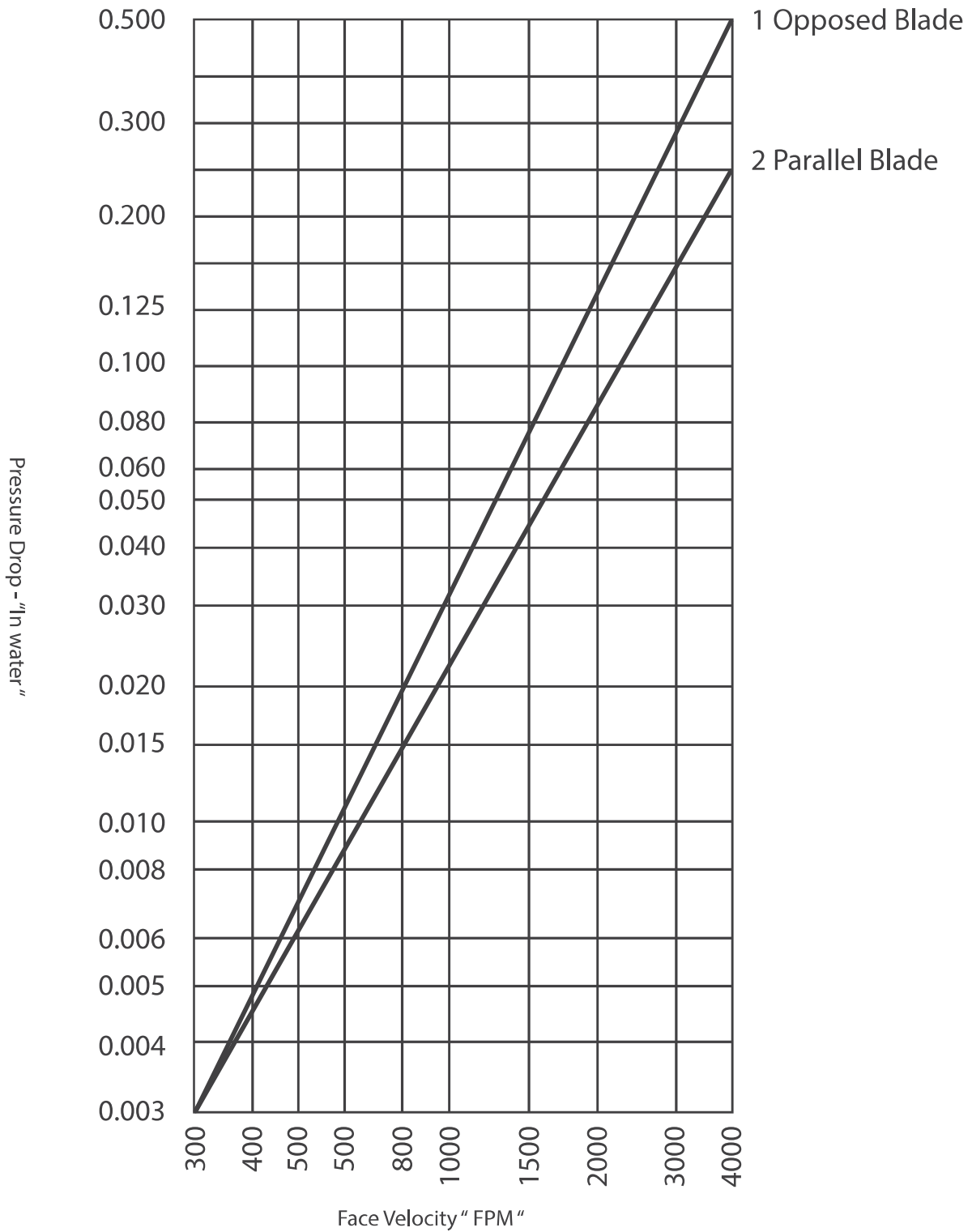


Diameter Range	L	B
0" to 9 7/8"	Dia. + B	1 6/9"
9 7/8" to 23 5/8"		2"
23 5/8" to 35 7/16"		2 7/8"
35 7/16" to Up		4"

Volume Damper products are manufactured by Khedr Trust Co.

- Aerodynamic Data**- Type (BVD-R) - Rectangular Volume Damper****1. Leakage Chart**

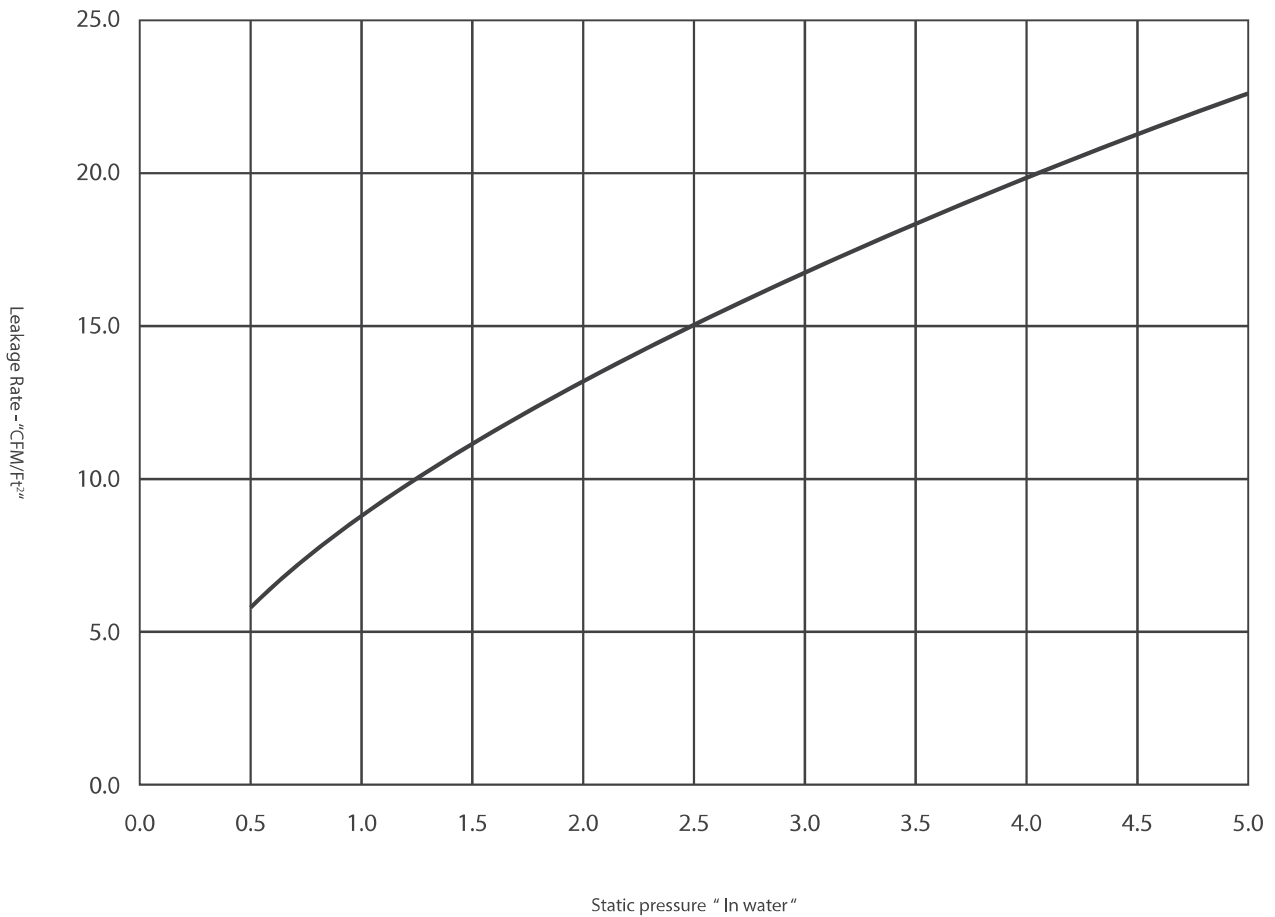
2. Pressure Drop Chart *



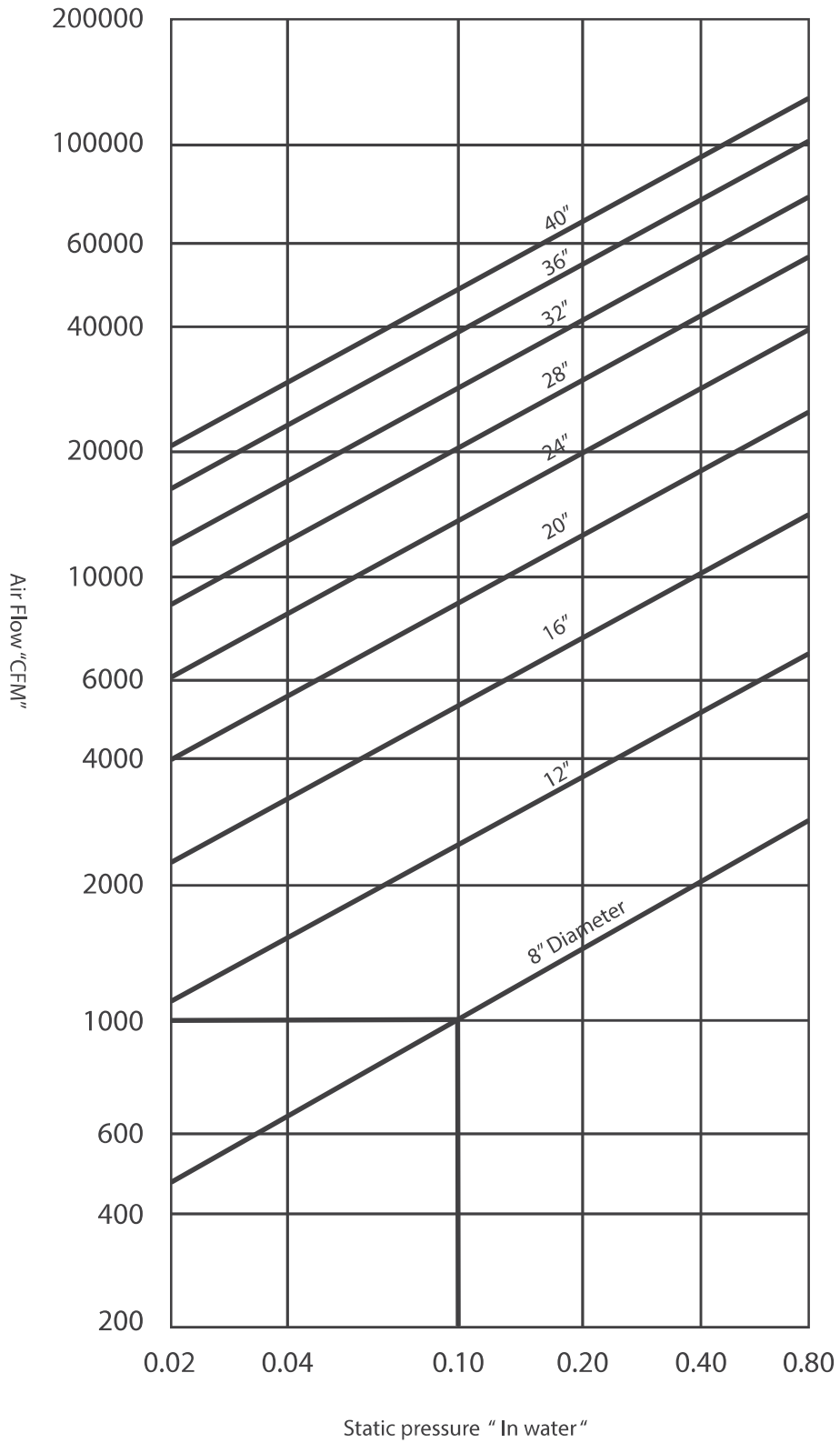
* Damper in Full Open Position

- Type (BVD-C) - Circular Volume Damper

1. Leakage Chart



2. Pressure Drop Chart *



* Damper in Full Open Position

– How to order

Type	BVD-R	BVD-R BVD-C	Rectangular Volume Damper Circular Volume Damper	Blade Volume Damper products are manufactured by Khedr Trust Co.
Blade	P	P O	Parallel Blades Opposed Blades	
Size	24 X 24	Size "Inch"		

Other Products are provided by Khedr Trust Co.

Diffusers & Grilles

- Squar Ceiling Diffuser
- Circular Ceiling Diffuser
- Slot Linear Diffuser
- Linear Bar Grille
- Aluminum Grille
- Swirl Diffuser
- Perforated Ceiling Diffuser
- Disc Valve Diffuser
- Jet Diffuser
- Eye Ball Diffuser
- Door Grille
- Raised Floor Grid

Louvers

- Aluminum Louver
- Sand Trap Louver

Dampers

- Blade Volume Damper
- Toothed Wheel Volume Damper
- Gravity Shutter Damper

Acoustics

- Sound Attenuator
- Acoustic Louver

Smoke Management

- Fire Damper
- Smoke Motorized Damper
- Smoke Vent

Duct Works

- Galvanized Steel Duct
- Black Steel Duct
- Stainless Steel Duct
- Spiral Duct
- Flexible Duct
- Canavas
- Flanges
- Flexible Duct Connector



Khedr Trust

ALL AIR PRODUCTS



Alqanater Alkhairia roads.Industrial Area. Behind Cocacola Co.. Cairo, Egypt

Mailing Address : P.O.Box 13621, Cairo 11511 - Egypt

Tel : +202 42452022

Mob : +2010 29999054 / +2010 29999056

+2010 29999057 / +2010 29999058

E-Mail : info@khedr-eg.com



 / khedr.co

www.khedr-eg.com