

22/23
PRODUCTS

Product Catalogue

Stainless Steel Duct Work

Type (SSDW)



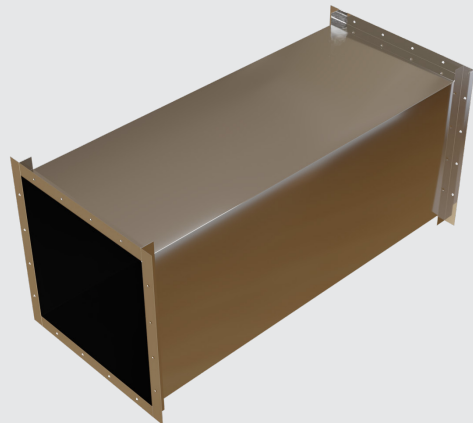
Khedr Trust
ALL AIR PRODUCTS

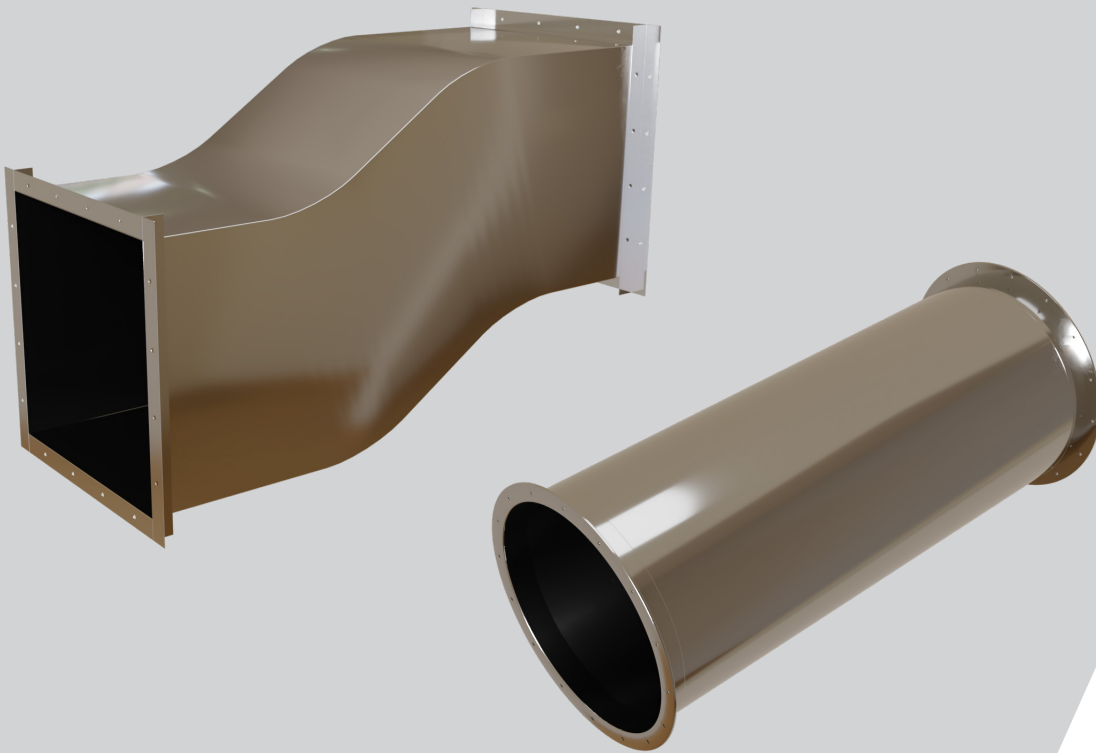
Stainless Steel Duct Work
products are manufactured by



“Your comfort is
our priority”

www.khedr-eg.com





Models



- Rectangular Stainless Steel Duct Work
- Round Stainless Steel Duct Work

Features



- All ducts, transformation pieces and their respective fittings are produced using CNC machines.
- The accuracy of the duct dimensions, the notch sizes, and the notch location at the duct folding line are all confirmed using CNC cutters (plasma cutting machines).
- All duct connections, nuts, bolts, gaskets and reinforcements are included with the ductwork.
- Ducts and fittings are available in the sizes and dimensions required by the customers.

Model Design

Khedr stainless steel duct work for any specialist application is recommended for its strength and rigidity which is similar to a galvanized iron duct. SS sheets are used of 316 / 304 grades.

Stainless Steel

Its appearance though is much sleeker than the one in an aluminum duct it stands way out for its corrosion resistant characteristic. Stainless Steel ducts are mainly used for exposed areas to and in the areas where Hygiene is the top priority and in highly corrosive environments.

Duct Models

Khedr Duct Work are available in rectangular , circular shapes.

Steel Thickness

Khedr Duct Work are made of stainless steel from 0.5 mm to 1.5mm Thickness.

Accessories

Ducts and fittings are available in different lengths, as per customer's request.

Product Standards

All ducts and fittings are produced as per SMACNA duct construction.

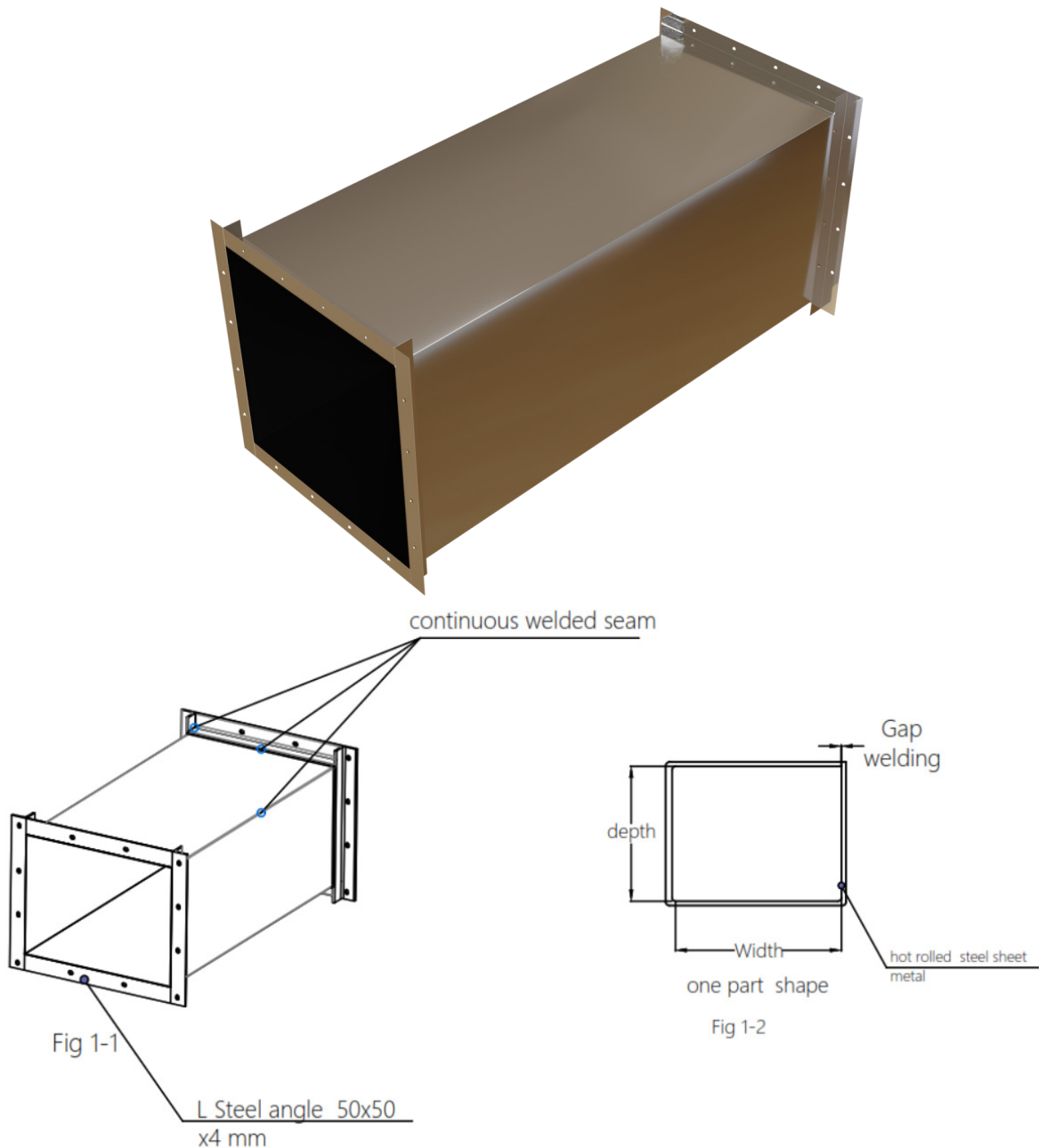
- Straight Duct

DESCRIPTION

Rectangular, air distribution channel, designed for indoor and outdoor applications.

FABRICATION STANDARDS

- Flange arranged with angle 90° as shown in (Fig 1-2).
- Flange cutted and punch hole by CNC angle cutting machine.
- Bending sheet plates by CNC bending.
- TIG welding.
- standard length of straight square duct 1250 mm.



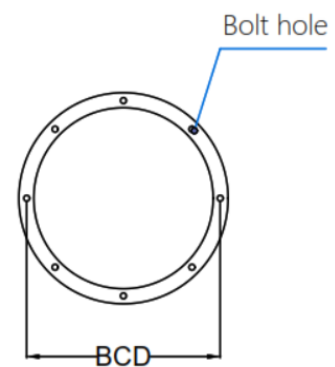
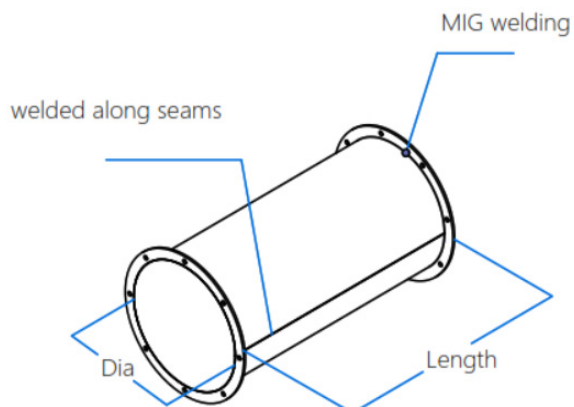
- Circular Duct

MATERIAL SPECIFICATIONS

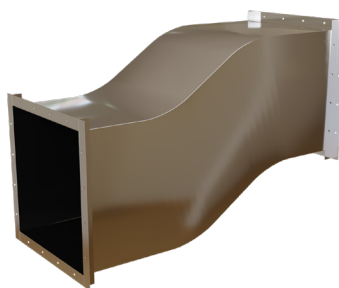
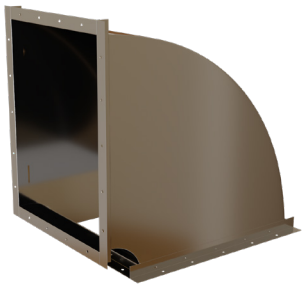
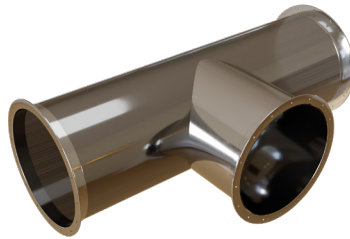
- All ductwork is made of Stainless steel material.
- Various Thickness are available upon request.
- Circular ducts & fittings are available.

FABRICATION STANDARDS

- All seams welded by TIG welding.
- Standard length of straight round duct 1240 mm.
- All flanges and holes are machined by cnc LASER cutting machine.
- All diameters of straight round duct are rolled according to the required diameter on rolling machine.



- Duct Fittings*



* All fittings shapes are formed by Plasma CNC machines and all seams welded by TIG welding

- Used Equipment

1. Bending and forming process

- ERMAKSAN CNC Bending Machine, One of the most important equipment available for bending and shaping.
- Force = 100 tons
- 4 axis.
- 2D model operation software.



2. Plasma cutting machine

- Brand : primapress
- Work table size : 3000 x1500
- Plazma power : hypertherm 105 A
- Cutting range : 0.5 -6 mm thickness



3. Shearing process

- Brand : premapress
- Cutting and punching holes of steel angle angle
- Size dimension : from 25*25 *2.5 to 60*60* 6



4. Hydraulic steel sheets shearing

- Band omega
- Length = 3000 mm
- Backgauge station =600 mm



5 . weld process

- Brand : Fronius
- Specs: 250AMP COMPACT MIG/ TIG WELDING MACHINE
- Welding current max. 250A
- Welding current min. 10A



Other Products are provided by Khedr Trust Co.

Diffusers & Grills

Slot Linear Diffuser
Eye Ball Diffuser
Circular Ceiling Diffuser
Swirl Diffuser
Perforated Ceiling Diffuser
Jet Diffuser
Square Ceiling Diffuser
Disc Valve Diffuser
Linear Bar Grill
Supply / Return Grill
Door Grill

Louvers

Aluminum Louver
Sand Trap Louver

Dampers

Volume Damper
Fire Damper
Smoke Motorized Damper
Shutter Damper
Pressure Relief Damper

Special Parts

Sound Attenuator
Plenum Box

Duct Works

Galvanized Steel Duct
Black Steel Duct
Stainless Steel Duct
Spiral Duct
Flexible Duct
Canvas
Flanges
Flexible Duct Connector



Khedr Trust

ALL AIR PRODUCTS



Alqanater Alkhairia roads.Industrial Area. Behind Cocacola Co.. Cairo, Egypt

Mailing Address : P.O.Box 13621. Cairo 11511 - Egypt

Tel : +202 42452022

Mob : +2010 29999054 / +2010 29999056

+2010 29999057 / +2010 29999058

E-Mail : info@khedr-eg.com



www.khedr-eg.com

