

20/21
PRODUCTS

Product Catalogue

Raised Floor Grid

Type (RFG)



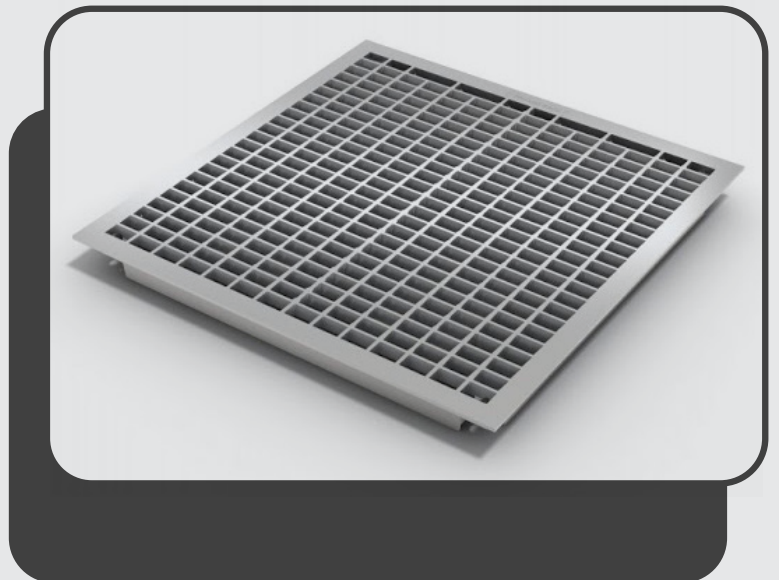
Khedr Trust
ALL AIR PRODUCTS

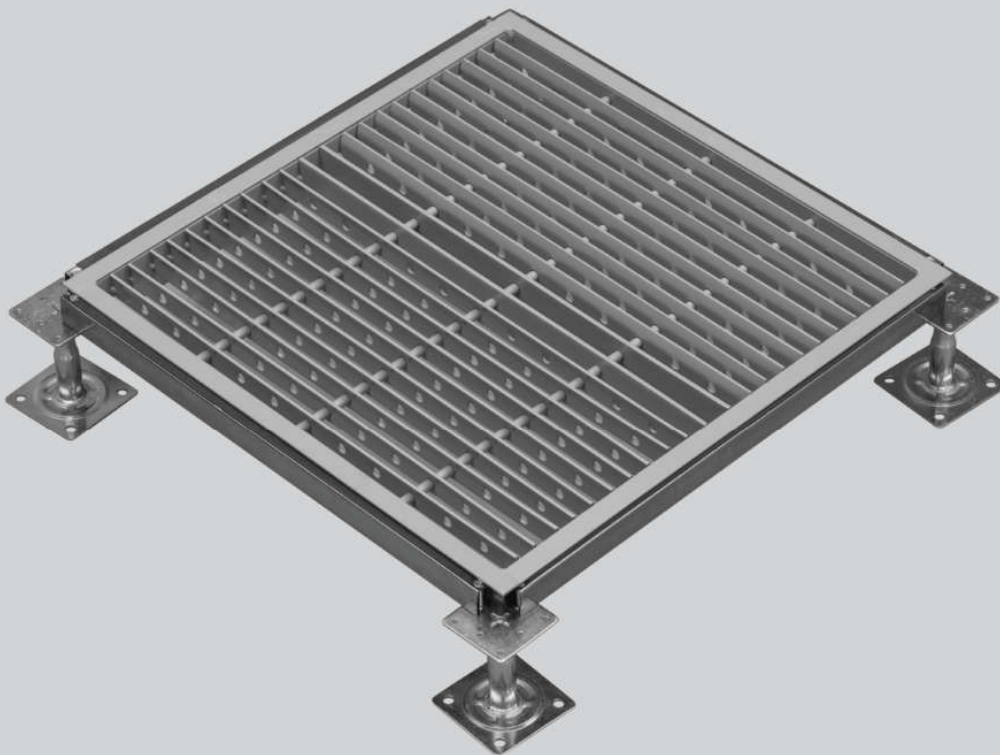
Raised Floor Grid products are
manufactured by



“ Your comfort is
our priority ”

www.khedr-eg.com





Finish

- Galvanized steel with polyester powder coating.

Features

- The grid panel are available with different heights.
- All parts are free of burrs and all other sharp elements that would be dangerous while handling.

Raised Floor Grid

Model Design

Khedr Model RFG is suitable to use with under floor air distribution Data Center, UPS ,...etc.

Air Flow

Air Flow rate up to 7500 CFM per Panel.

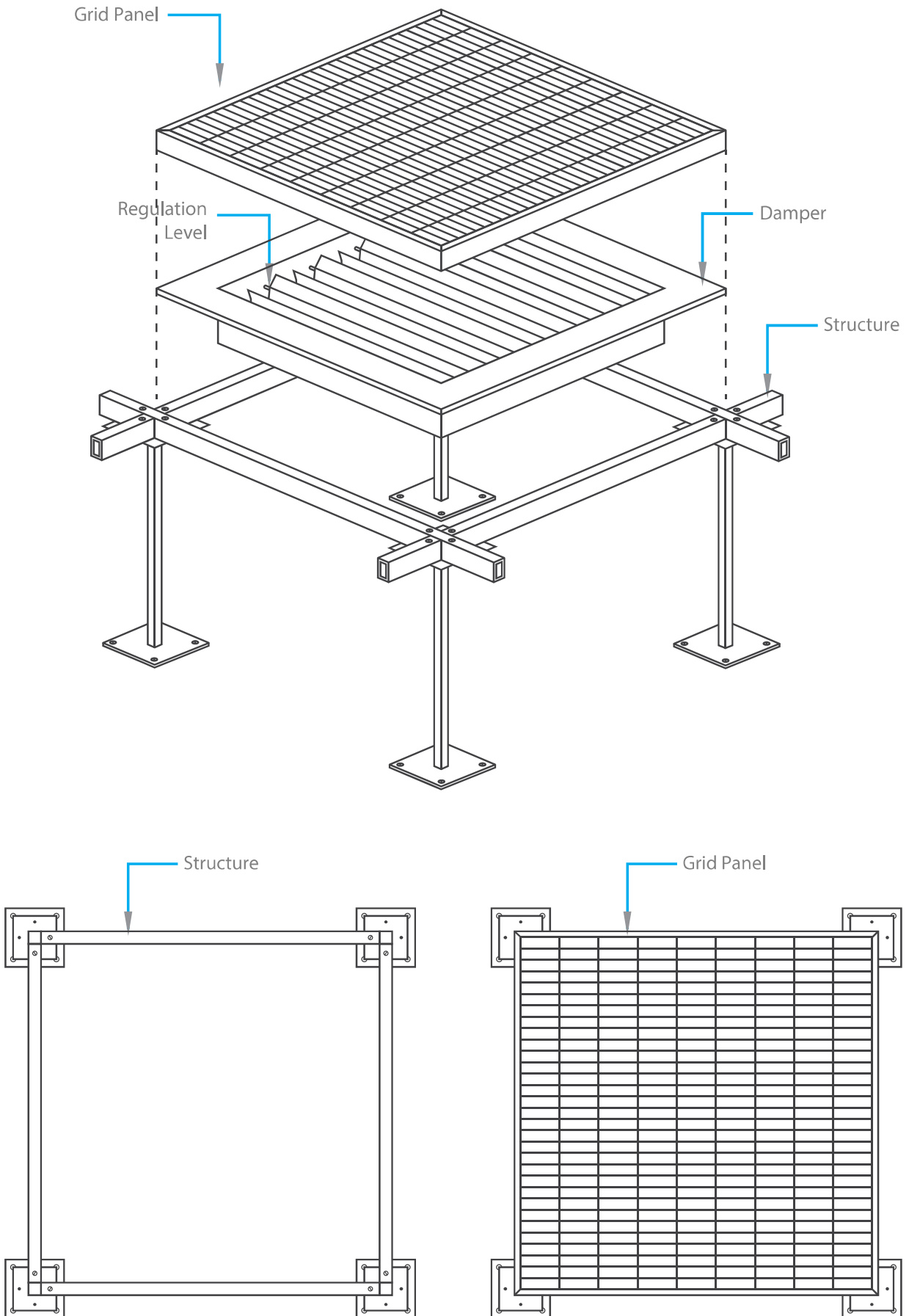
Withstand

Can withstand up to 2350 Kg/m².

Optional Damper

Optional Toothed wheel volume damper can be equipped.

- Construction

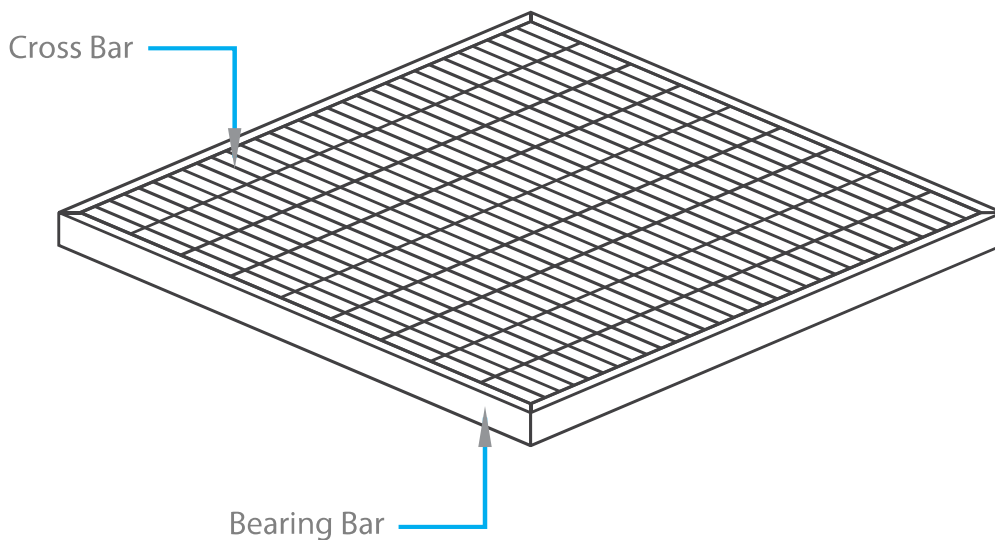


- Performance Data

Physical Properties

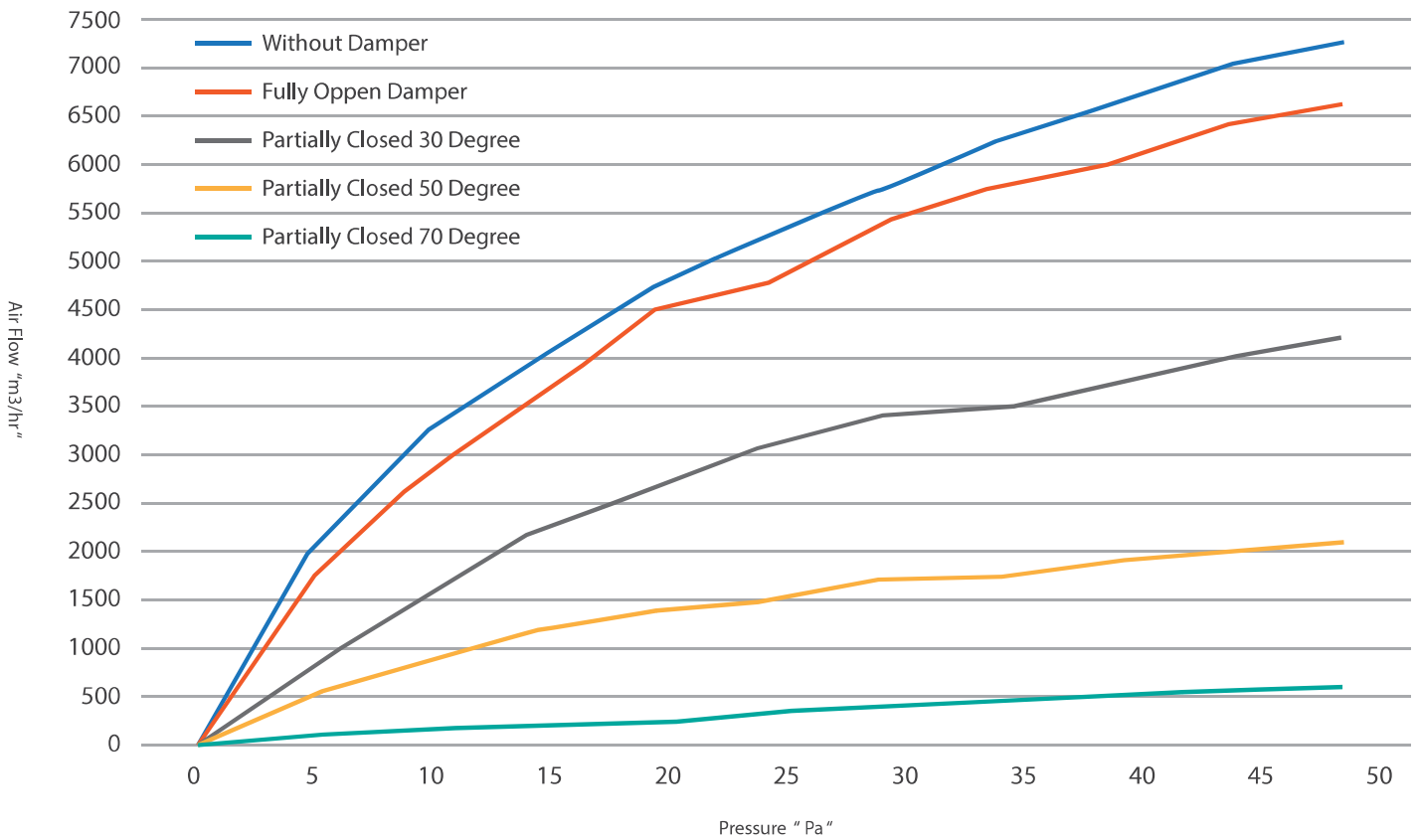
	Unit	30 mm panel	35 mm panel	38 mm panel
Dimensions	mm	600 x 600	600 x 600	600 x 600
Thickness	mm	30	35	38
Bearing Bar	mm	25 x 2	25 x 2	25 x 2
Cross Bar	mm	9 x 2	9 x 2	9 x 2
Perimeter Frame	mm	30 x 4	35 x 4	38 x 4
Mesh	mm	66 x 15	66 x 15	66 x 15
Perforated Area	%	80	80	80
Weight	Kg	13	13.5	14
Distributed Load *	Kg/m ²	1800	2100	2350
	KN/m ²	18	21	23
Concentrated Load of Side *	KN	1.70	2.30	3.00
Concentrated Load of Panel Center *	KN	1.80	2.00	2.20

Raised Floor Grid products are manufactured by Khedr Trust Co.



* At 2.5 mm deflection

Air Flow characteristics



- How to order

Type	RFG	RFG Raised Floor Grid
Size	600 x 600	Size "mm"
Thickness	30	Thickness "mm"

Raised Floor Grid products are manufactured by Khedr Trust Co.

Room Types		Noise Criteria (NC)
Residences, apartments	Living areas	30
	Bathrooms, kitchens, utility rooms	35
Hotels/motels	Individual rooms or suites	30
	Meeting/banquet rooms	30
	Corridors and lobbies	40
	Service/support areas	40
Office buildings	Executive and private offices	30
	Conference rooms	30
	Teleconference rooms	25
	Open-plan offices	40
	Corridors and lobbies	40
Courtrooms	Unamplified speech	30
	Amplified speech	35
Performing arts spaces	Drama theaters, concert and recital halls	20
	Music teaching studios	25
	Music practice rooms	30
Hospitals and clinics	Patient rooms	30
	Wards	35
	Operating and procedure rooms	35
	Corridors and lobbies	40
Laboratories	Testing/research with minimal speech Communication	50
	Extensive phone use and speech communication	45
	Group teaching	35
Churches, mosques, synagogues	General assembly with critical music programs	25
Schools	Classrooms	30
	Large lecture rooms with speech amplification	30
	Large lecture rooms without speech amplification	25
Libraries		30
Indoor stadiums, gymnasiums	Gymnasiums and natatoriums	45
	Large-seating-capacity spaces with speech amplification	50

* ASHRAE Applications – Ch. 49 Noise and Vibration Control

Other Products are provided by Khedr Trust Co.

Diffusers & Grilles

- Squar Ceiling Diffuser
- Circular Ceiling Diffuser
- Slot Linear Diffuser
- Linear Bar Grille
- Aluminum Grille
- Swirl Diffuser
- Perforated Ceiling Diffuser
- Disc Valve Diffuser
- Jet Diffuser
- Eye Ball Diffuser
- Door Grille
- Raised Floor Grid

Louvers

- Aluminum Louver
- Sand Trap Louver

Dampers

- Blade Volume Damper
- Toothed Wheel Volume Damper
- Gravity Shutter Damper

Acoustics

- Sound Attenuator
- Acoustic Louver

Smoke Management

- Fire Damper
- Smoke Motorized Damper
- Smoke Vent

Duct Works

- Galvanized Steel Duct
- Black Steel Duct
- Stainless Steel Duct
- Spiral Duct
- Flexible Duct
- Canavas
- Flanges
- Flexible Duct Connector



Khedr Trust

ALL AIR PRODUCTS



Alqanater Alkhairia roads.Industrial Area. Behind Cocacola Co.. Cairo, Egypt

Mailing Address : P.O.Box 13621, Cairo 11511 - Egypt

Tel : +202 42452022

Mob : +2010 29999054 / +2010 29999056

+2010 29999057 / +2010 29999058

E-Mail : info@khedr-eg.com



 / khedr.co

www.khedr-eg.com